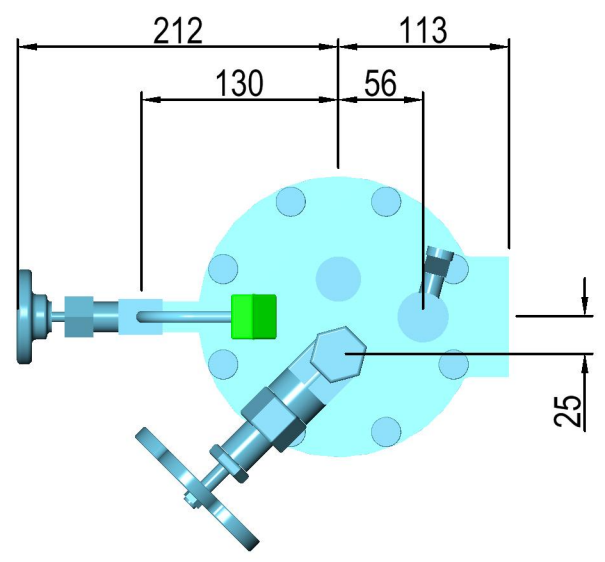
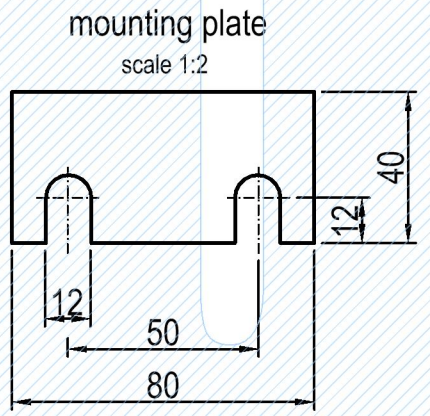
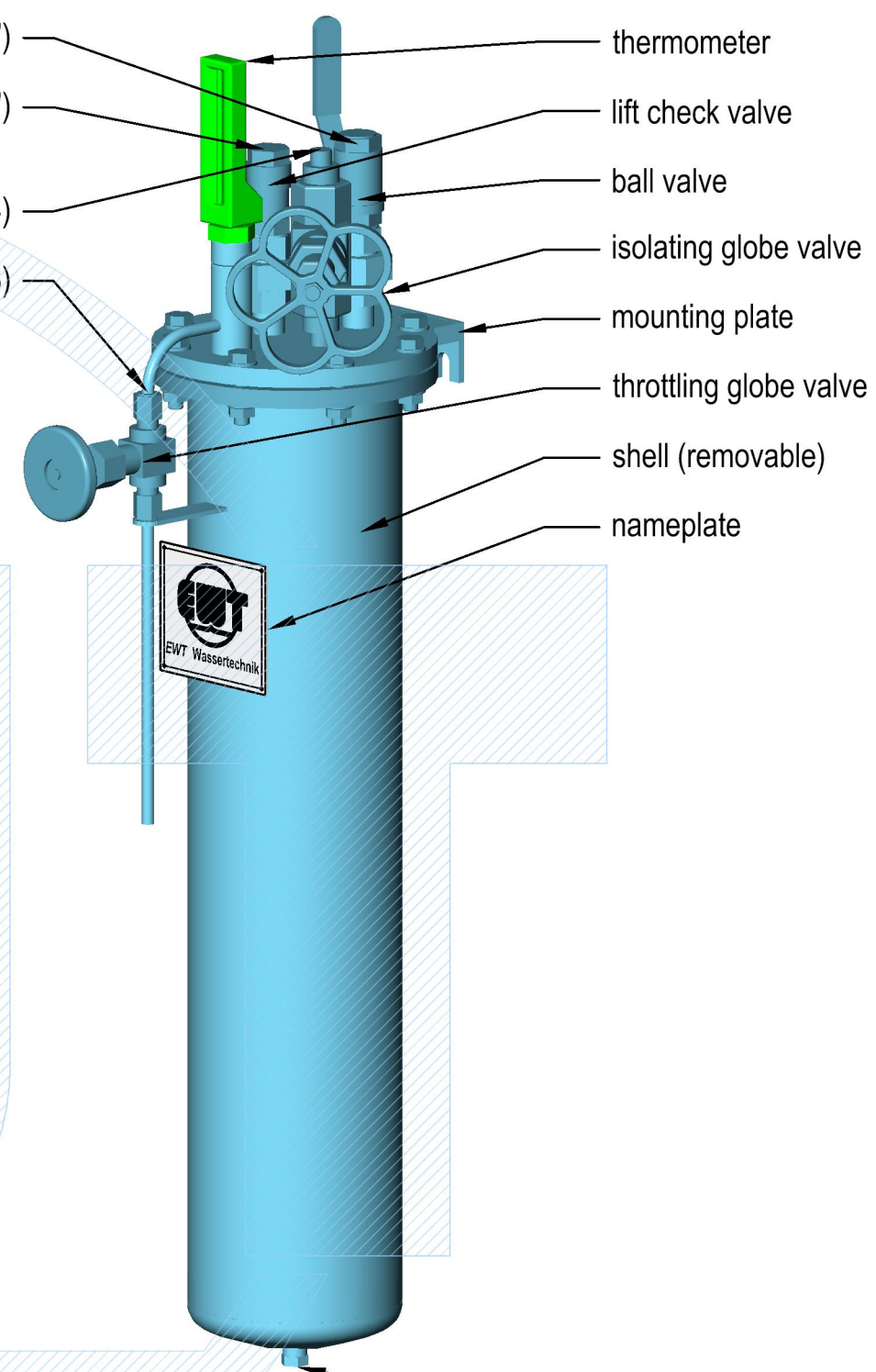


- cooling water inlet (Rp 3/4")
- cooling water outlet (Rp 3/4")
- sample inlet (DN 10, Ø14)
- sample outlet (DN 6, Ø8)
- thermometer
- lift check valve
- ball valve
- isolating globe valve
- mounting plate
- throttling globe valve
- shell (removable)
- nameplate



<b>EWT Eckert Wassertechnik GmbH</b> Ludwig-Erhard-Straße 11, 29225 Celle, Germany			
Herstellung manufacture		100	
Typ type	125-600 H	1 Druckraum chamber	2
PS min./max.	0 / 160 bar	0 / 10 bar	
TS min./max.	0 / 550 °C	0 / 110 °C	
V	0,5 L	9 L	
PT	400 bar	16 bar	
80		80	

01	30.03.2018	M. Eckert	adjustment of name plate details, text details
00	14.11.2016	R. Milk	first issue
Bauherr / Owner		Kunde / Client	
		GmbH	
Maßstab Scale 1:5		sample cooler 125-600 H	
Größe Size A3		Zeichnung Nr. 20000-6020-00 Kommission Nr. Job No. Kennwort Code Word Revisionsstand Revision Index <b>01</b>	
for sampling, condensation and subcooling of superheated steam			

drain (Rp 1/2")  
with hex head plug (R 1/2")