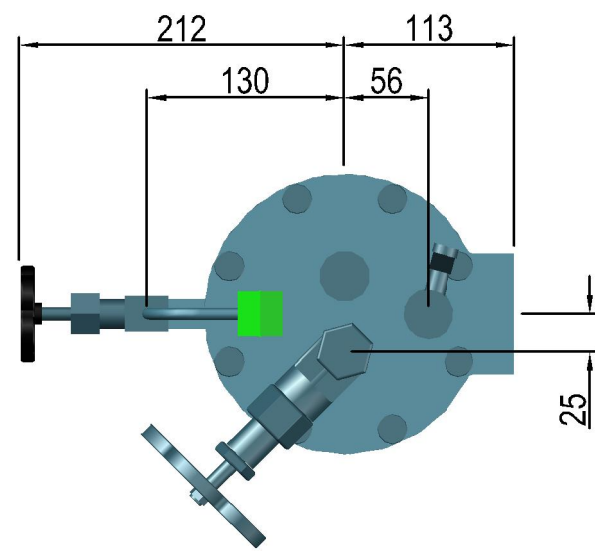
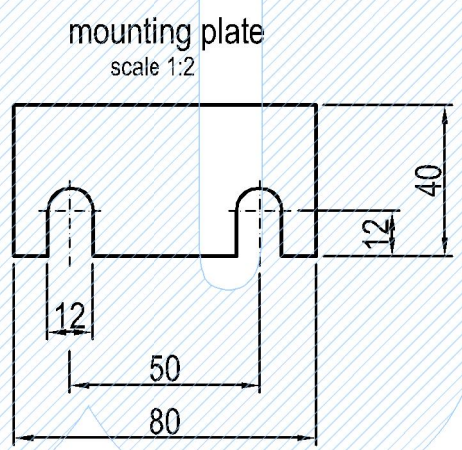


- cooling water inlet (Rp 3/4")
- cooling water outlet (Rp 3/4")
- sample inlet (DN 10, Ø14)
- sample outlet (DN 6, Ø8)
- thermometer
- lift check valve
- ball valve
- isolating globe valve
- mounting plate
- throttling globe valve
- nameplate
- shell (removable)
- drain (Rp 1/2") with hex head plug (R 1/2")



EWT Eckert Wassertechnik GmbH
Ludwig-Erhard-Straße 11, 29225 Celle, Germany

Herstellung manufacture	
Typ type	125-300 H
PS min./max.	0/ 160 bar
TS min./max.	0/ 350 °C
V	0,3 L
PT	360 bar

1 Druckraum chamber	2
0/ 10 bar	
0/ 110 °C	
5 L	
16 bar	

01	30.03.2018	M. Eckert	adjustment of name plate details, text details
00	05.12.2016	R. Milk	first issue
Bauherr / Owner		Kunde / Client	
sample cooler 125-300 H Maßstab Scale 1:5 Größe Size A3 for sampling and subcooling of hot water			EWT Wassertechnik Zeichnung Nr. 20000-6010-01 Kommission Nr. Job No. Kennwort Code Word Revisionsstand Revision Index 01