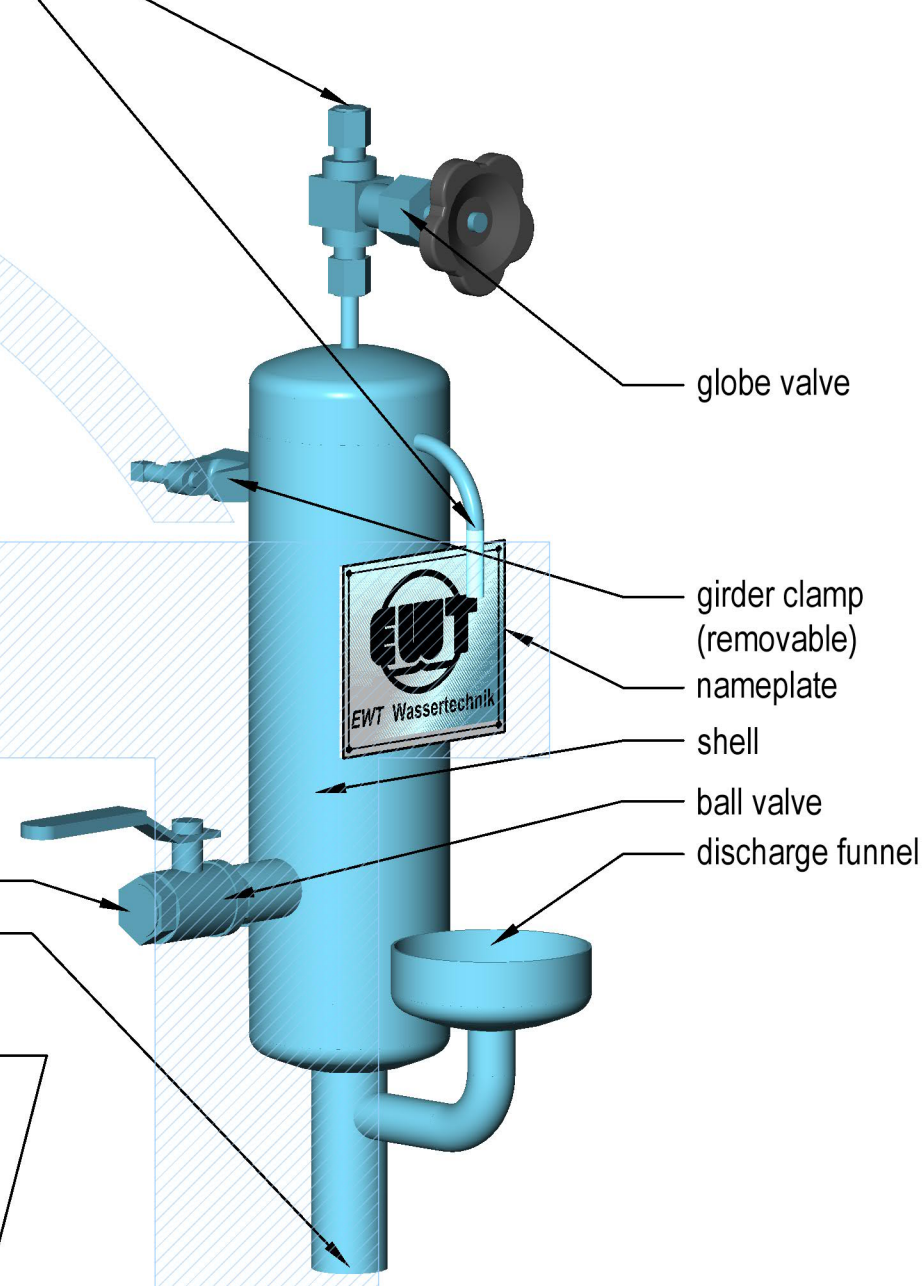
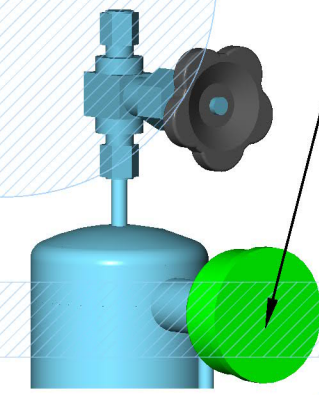


sample inlet (DN 6, Ø8)
sample outlet (DN 6, Ø8)

cooling water inlet (Rp 1/2")
cooling water outlet (Rp 3/4")

OPTION: thermometer



EWT Eckert Wassertechnik GmbH
Ludwig-Erhard-Straße 11, 29225 Celle, Germany

Herstellung manufacture

Typ type **080-250 C** 1 Druckraum chamber 2

PS min./max.	0 / 40 bar	0 / 10 bar
TS min./max.	0 / 200 °C	0 / 110 °C
V	0,1 L	1,5 L
PT	360 bar	16 bar

Maßstab Scale **1:4**

Größe Size **A3**

for sampling and subcooling of hot water

02	18.08.2021	R. Milk	cooling water outlet Rp 3/4", PSmax 40 bar, optional thermometer
01	30.03.2018	M. Eckert	adjustment of name plate, text details
00	23.11.2017	R. Milk	first issue
Bauherr / Owner		Kunde / Client	
sample cooler 080-250 C for sampling and subcooling of hot water			EWT Wassertechnik Zeichnung Nr. 20010-6040-02 Kommission Nr. Job No. Kennwort Code Word Revisionsstand Revision Index 02